

# One Stop Heating & Plumbing Solutions from Blake Ecotec

12 kW Heat Pump, Under Floor Heating & Log Burner installed in Somerset.



## Key Facts

### The Client;

Mr. Peter Stokes

### The Property;

8, Mill Lane, Nether Stowey, Somerset (Domestic).

### The Project Included;

12kW Panasonic Air-to-Water Heat Pump & Under Floor Heating Kit.

Installation of a Log Burner & Flue Chimney.

Plumbing works for the Kitchen, Bathroom & Utility.

**Heat Pump Install Cost;**  
£10,000.00.

## Project Background

In the recent climate homeowners, faced with growing monthly utility bills, are incorporating renewable heating to future proof their properties against the unpredictability of fossil fuel supply.

**Mr. Stokes' property is a 192m<sup>2</sup> detached bungalow situated on Mill Lane in the picturesque Somerset village of Nether Stowey.**

## The Requirement

At the initial consultation phase Mr. Stokes wished to include state of the art, renewable heating technology as he took on the task of renovating and extending his single storey bungalow.

**"The system heats the whole dwelling and provides all of the hot water. We are delighted with it."**

**- Mr. Peter Stokes**

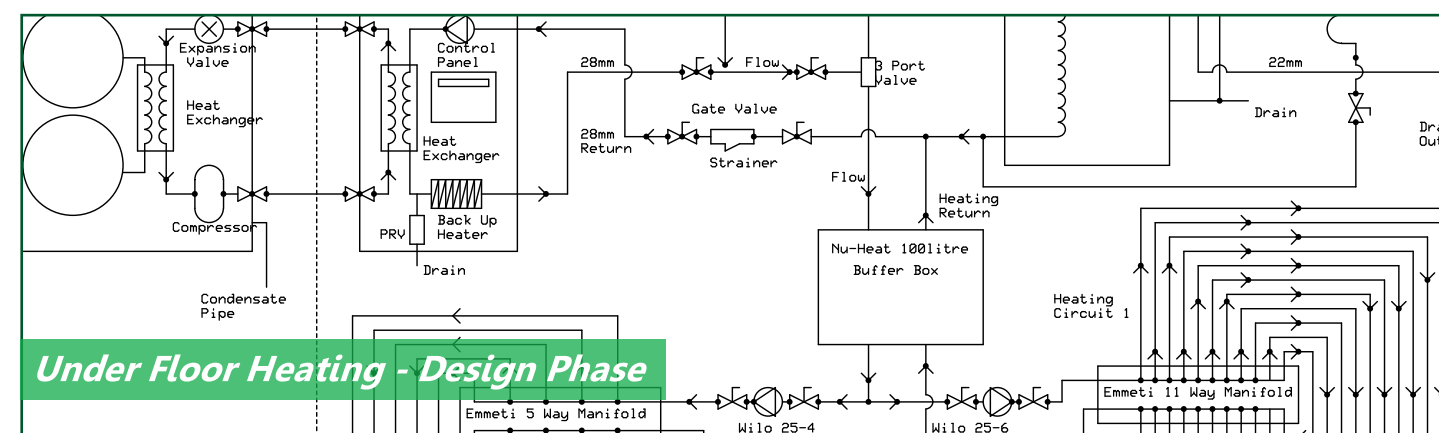
## Project Summary

To meet the project requirements our team of highly skilled staff designed and installed a complete turnkey solution for the property.

A brand new 12kW Panasonic Air-to-Water Heat Pump & specially produced cylinder tank were installed by our experienced on-site engineers alongside under floor heating for the bungalow.

By taking in cold air from the outside environment & passing it through a heat exchanger the system needs little maintenance & heats water & under floor heating, warming the bungalow to 21°C & ensuring a score of 5 stars on the Heat Loss Rating scale.

In addition we installed a log burner & flue chimney in the living area & carried out the entire plumbing works for the kitchen, bathroom & utility, including sinks, a shower/bath & a wall hung toilet.



## Under Floor Heating - Design Phase

## The Result

For a project of this size Mr. Stokes' system is capable of running above 340% efficiency & just a short time after installation the cost saving benefits are already clear with the system dramatically reducing the CO<sub>2</sub> emissions produced in comparison to Oil or Gas Heating.

## The Renewable Heat Incentive (RHI)

The 12kW Panasonic Air-to-Water Heat Pump runs on electricity at 4p per kWh and is compliant with the Renewable Heating Incentive (RHI) .

The property has gained accreditation into the domestic RHI scheme for the next 7 years enabling Mr. Stokes to receive payments of 5.4p per kWh of heat generated.

These payments and the fuel cost saving will substantially reduce costs as well as generating additional income of £978 per annum, dependent on inflation.



Heat Pump



Log Burner



Flue Chimney